



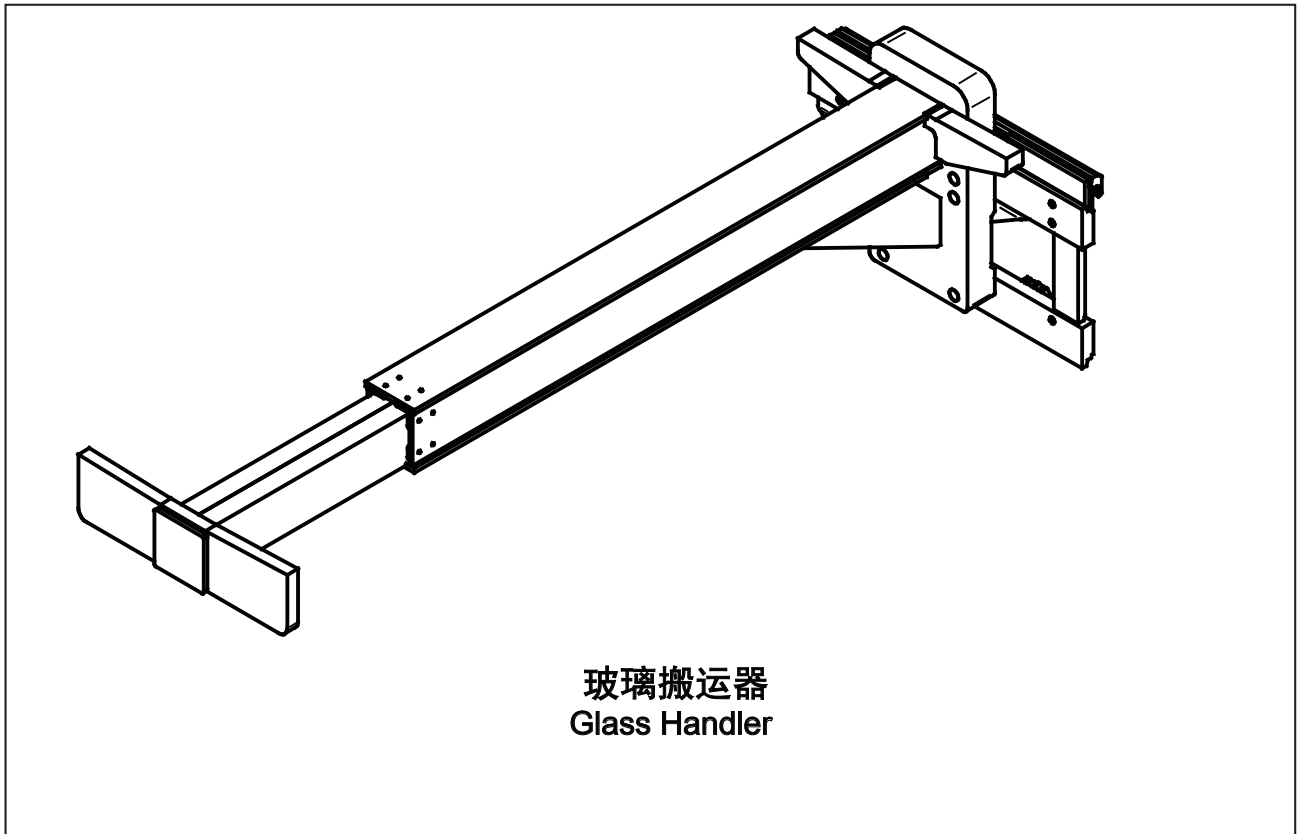
# 安装说明书 INSTALLATION INSTRUCTIONS

---

## 玻璃搬运器

---

## Glass Handler



卡斯卡特(厦门)叉车属具有限公司

cascade xiamen forklift truck attachment co., ltd

中国福建省厦门市海沧区阳光路668号

361026

No.668 Yangguang Road , Haicang, Xiamen, Fujian, 361026 P. R. China

电话(Phone): 0592-6512500

传真(Fax): 0592-6512571

www.cascorp.com.cn

- ▲ **警告：** 安装不当是导致属具故障的第一要素，请在安装属具前认真阅读本《安装说明书》。
- ▲ **注意：** 叉车/属具组合承载能力系由叉车主机厂确定，其值可能比属具铭牌上所示数值小，请参见叉车铭牌。
- 💡 **重要提示：** 现场改动将减弱属具的性能和承载能力，并导致失去保修资格。任何需要对属具进行的改动，请事先与卡斯卡特公司协商。
- ▲ **WARNING :** **Incorrect installation is the main cause of Attachment malfunctioning. Please read this INSTALLATION INSTRUCTION comprehensively before installation.**
- ▲ **CAUTION :** **Rated capacity of the truck/attachment combination is a responsibility of the original truck manufacturer and may be less than shown on the attachment nameplate. Consult the truck nameplate.**
- 💡 **IMPORTANT :** **Field alterations may impair performance or capability and could result in loss of warranty. Consult Cascade for any required modifications. Operating at pressures over 160bar(2300 psi) will void warranty.**

## 目 录

### TABLE OF CONTENTS

安装前对叉车的要求 Truck Requirements .....	1
安装 Installation .....	2
定期维护保养 Periodic Maintenance .....	5

### 叉车供油压力Truck Relief Setting

推荐值Recommended	最大值Maximum
140Bar(2000psi)	160Bar(2300psi)

### 叉车供油流量Truck Flow Volume<sup>①</sup>

型号	最小 <sup>②</sup>	推荐值	最大 <sup>③</sup>
X55H(伸缩油路)	15L/min	26L/min	26L/min
X55H(侧移油路)	4L/min	15L/min	19L/min
Model	Min <sup>②</sup>	Recomm.	Max <sup>③</sup>
X55H(Open/Clamp)	4GPM	7GPM	7GPM
X55H(Sideshifting)	1GPM	4GPM	5GPM

①卡斯卡特侧移器兼容SAE10W的油基液压油标准参见MIL.Spec规格.MIL-0-5606或者MIL-0-2104B.不推荐使用合成或水基液压油.如果需要使用阻燃液压油,则必须采用特殊密封件.详细请联系卡斯卡特.

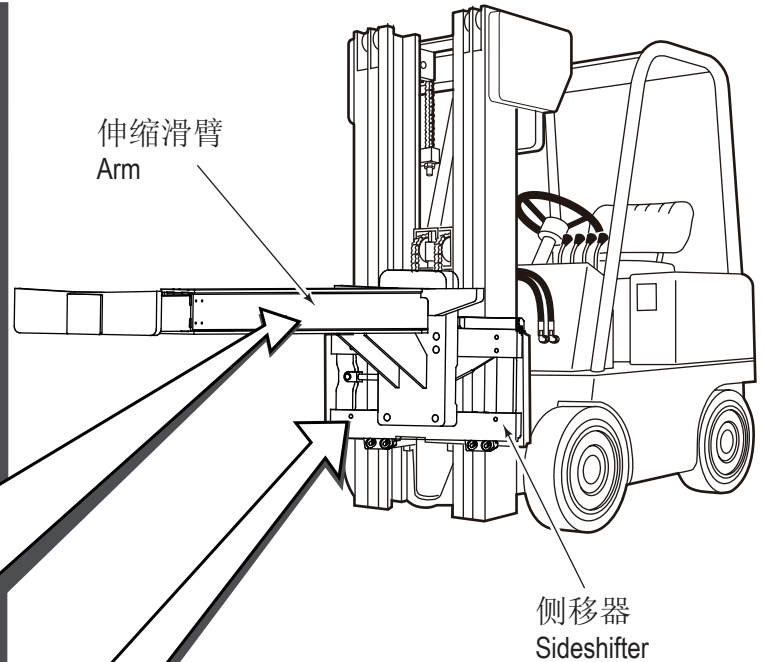
②如果流量低于推荐值.会造成滑臂伸缩速度和侧移器速度缓慢.

③如果流量超过最大值,会造成过热,降低系统性能同时缩短液压系统的寿命.

①Cascade Sideshifters are compatible with SAE 10W petroleum base hydraulic fluid meeting Mil.Spec.MIL-0-5606 or MIL-0-2104B.Use of synthetic or aqueous base hydraulic fluid is not recommended.If fire resistant hydraulic fluid is required,special seals may be required. Contact Cascade.

②Flow less than recommended will result in slow open, clamp and sideshift speed.

③Flow greater than maximum can result in excessive heating,reduced system performance and reduced hydraulic system life.



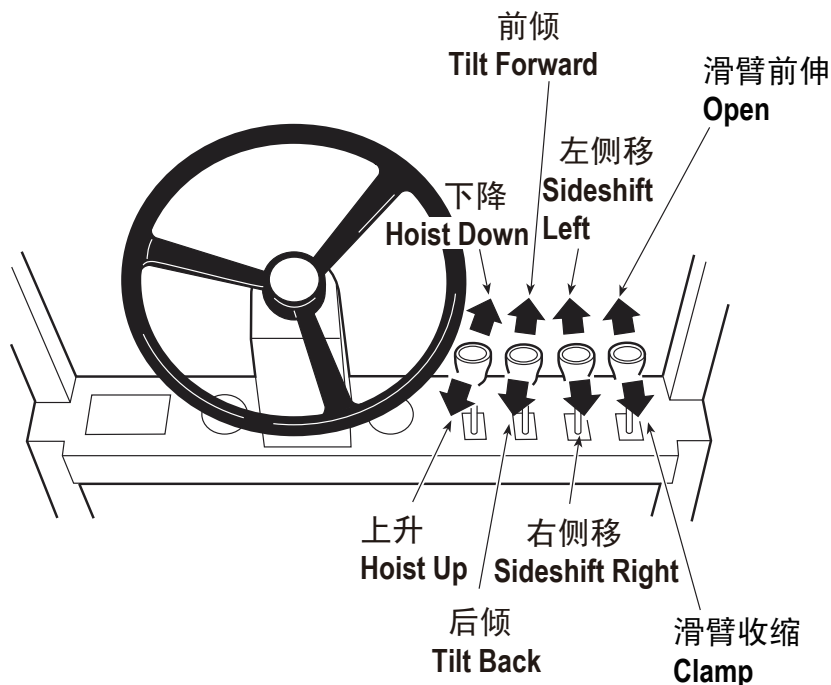
安装等级	A(ISO标准)	
	最小	最大
3级	474.5mm	476.0mm

Mounting	A-ITA(ISO)	
	Min	Max
ClassIII	18.68in.	18.74in.

说明: 叉车属具的液压系统是按一定范围的压力和流量来设计的, 属具能否正常工作取决于叉车供油系统是否符合要求。

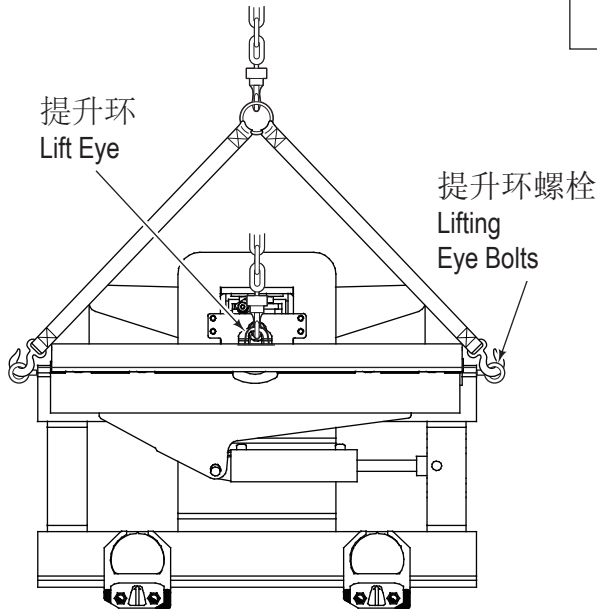
**Note:** Attachment hydraulic system is designed on the basis of certain pressure and volume value range.Excellent performance of attachment depends on a qualified truck supply system.



- 推荐的胶管和管接头孔径：
  - a. 张夹油路  
8# 软管 (软管通径  $\geq 12\text{mm}$ , 接头孔径  $\geq 10\text{mm}$ )
  - b. 侧移油路  
8# 软管 (软管通径  $\geq 12\text{mm}$ , 接头孔径  $\geq 10\text{mm}$ )
- Recommended hose and fitting size:
  - a. OPEN & CLOSE  
No.8 minimum fitting orifices of 13/32in.
  - b. SIDESHIFTING  
No.8 minimum fitting orifices of 13/32in.
- 为了符合有关标准，在属具管路与叉车多路阀换向阀联接时，应符合有图所列动作方向的规定。  
In order to conform to industry standard practice, the hoses should be connected to the truck auxiliary valve as indicated on the opposite.

1

将玻璃搬运器从托盘上吊起  
Remove From Box



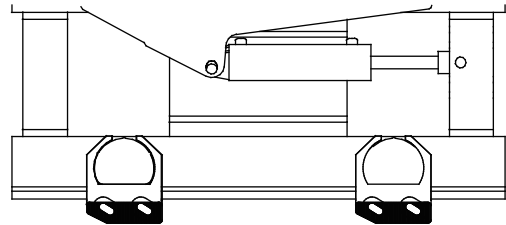
背面（从叉车司机角度）  
Back (Driver's Views)



**警告：** 确保起吊设备的额定承载能力不低于**600kg**。  
**WARNING:** Make sure overhead hoist has a rated capacity of at least 600 kg(1319 lbs).

2

卸下下钩  
Remove Lower Hooks

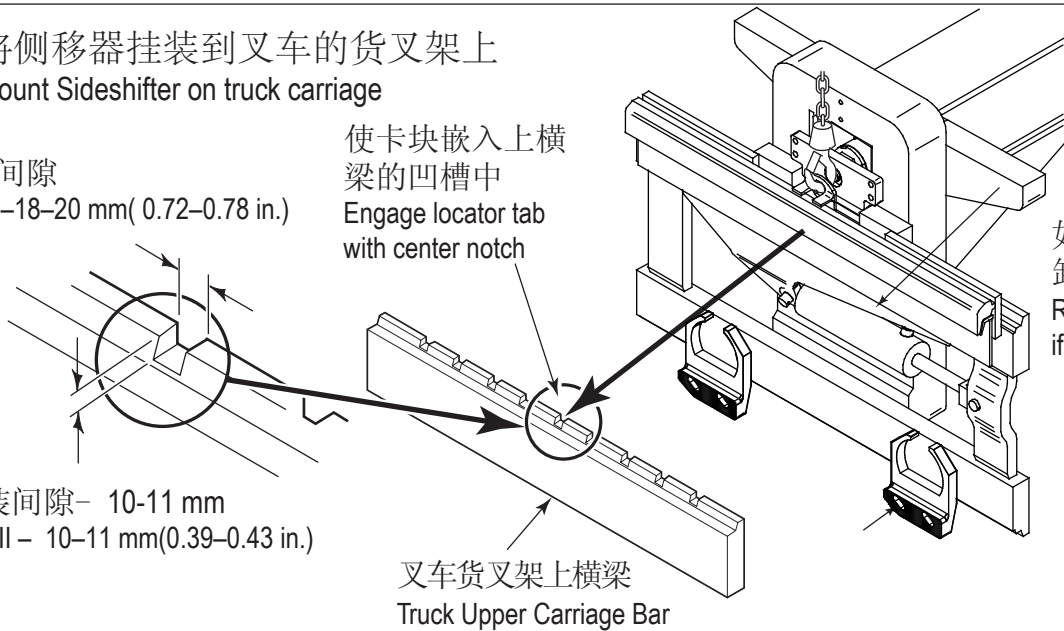


3

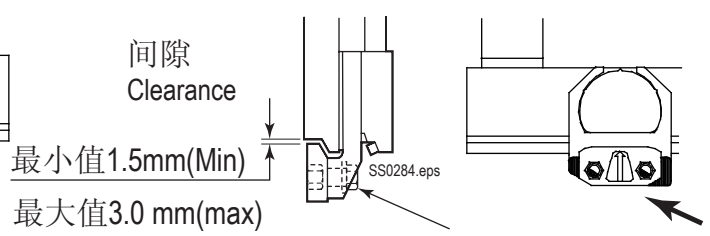
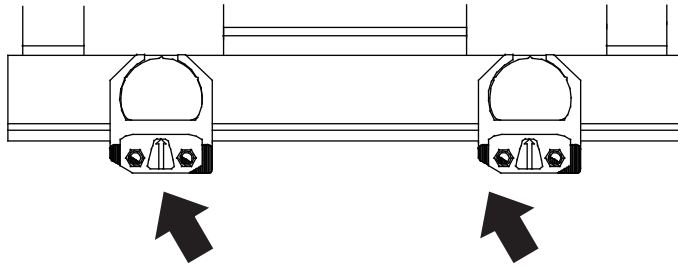
将侧移器挂装到叉车的货叉架上  
Mount Sideshifter on truck carriage

三级挂装间隙  
ITA Class III - 18-20 mm (0.72-0.78 in.)

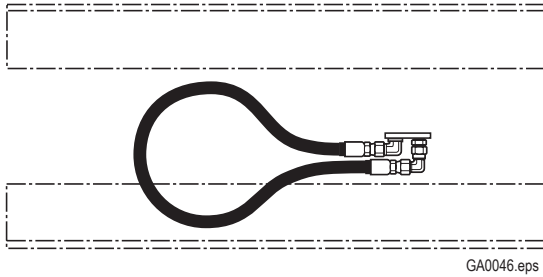
三级挂装间隙 - 10-11 mm  
ITA Class III - 10-11 mm (0.39-0.43 in.)



**4** 安装下钩  
Install lower hooks

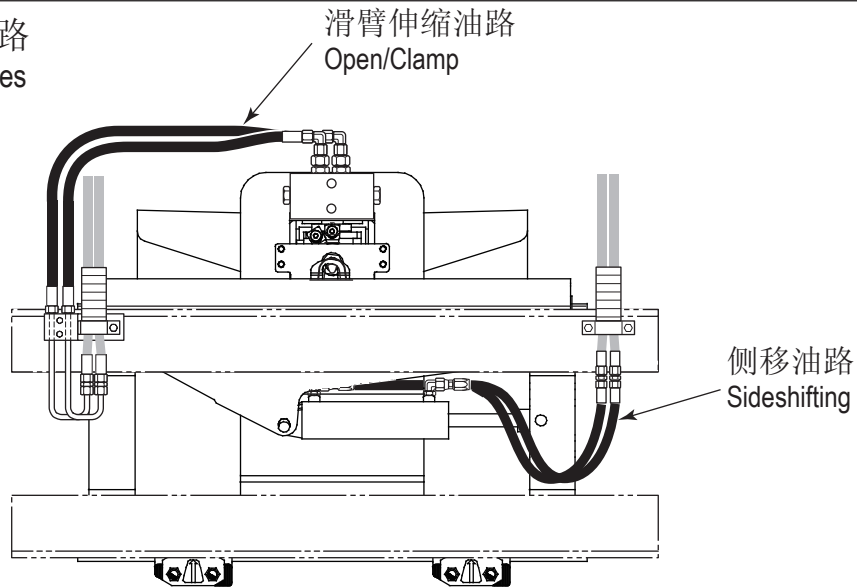


**5** 冲洗油管  
Flush supply hoses



采用155-170 Nm的力矩锁紧  
Torque to 155-170 Nm(115-125 ft.-lbs.)

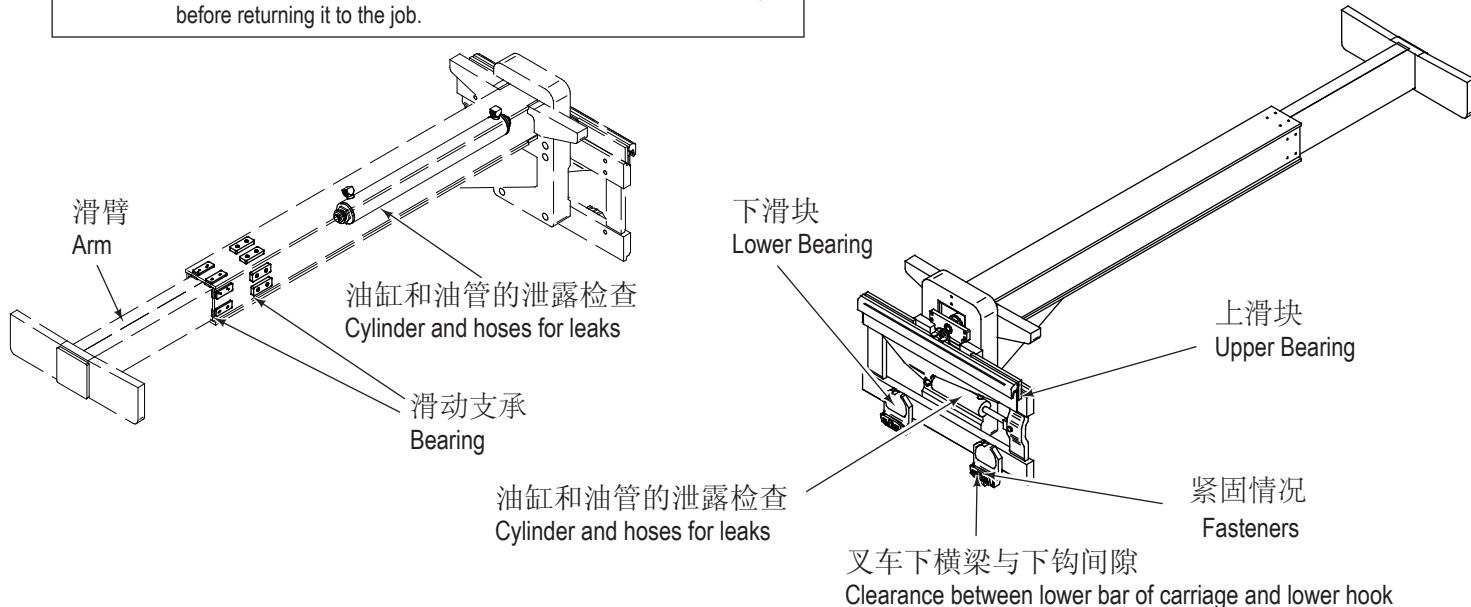
**6** 安装管路  
Install hoses





**警告:** 在完成任何检测过程后, 侧移器都要完成5次的往复循环动作。然后空载试车, 车投入正常工作之前必须事先负载测试以确保正常工作。

**WARNING:** After completing any service procedure, always test the sideshifter through five complete cycles. First test with no load, then test with a load to make sure the attachment operates correctly before returning it to the job.



## 每天保养

每天检查图中所示的检测项目. 向你的主管汇报其中相关问题. 参考维修手册按照保养和维修程序查出并解决问题。

## 100小时保养

在每一次叉车进行保养或者叉车每工作100小时, 按以下的程序进行保养:

- 检查松动或丢失的螺栓, 磨损或损坏的油管, 液压油泄漏以及损坏。
- 检查下钩的磨损以及合适的间距. 如果需要的话按照安装说明中的第4部进行调整. 用165Nm的力矩锁紧下钩螺栓。

## 300小时保养

叉车在工作300小时以后, 除了已有的100小时保养以外, 还要按照以下程序进行保养:

- 用通用的锂基润滑脂对侧移器的上滑块和下滑块以及滑臂的滑动支承进行润滑。

## 1000小时保养

叉车在使用1000小时以后, 除了已有的100小时和300保养, 还要按照以下程序进行保养:

- 检查滑动支承的磨损情况. 如果任何滑动支承磨损到厚度小于1mm时, 请将滑动支承整个更换. 更换程序按照维修手册中说明进行。

## 2000小时保养

- 更换所有的上下滑块和滑动支承。

## Daily

Check items shown each day. Report problems to your supervisor. See Service Manual for troubleshooting, maintenance and repair procedures.

## 100-Hour

Every time the lift truck is serviced or every 100 hours of truck operation, complete the following maintenance procedures:

- Check for loose or missing bolts, worn or damaged hoses, hydraulic leaks, and damaged.
- Inspect lower hooks for wear and proper clearance. Adjust if necessary (see Step 4, Installation). Tighten lower hook capscrews to 165 Nm (120 ft.-lbs).

## 300-Hour

After each 300 hours of truck operation, in addition to the 100-hour maintenance, perform the following procedures:

- Apply general-purpose lithium-based chassis grease to Sideshifter upper, lower bearings and arm bearings.

## 1000-Hour

After each 1000 hours of truck operation, in addition to the 100 and 300-hour maintenance, perform the following procedures:

- Inspect upper and lower bearings for wear. If any bearing is worn to less than 1mm (0.04 in.) thickness, replace the entire bearing set. See Service Manual for replacement procedure.

## 2000-Hour

Replace all upper bearing, lower bearing and arm bearing.

**cascade corporation**

**[www.cascorp.com.cn](http://www.cascorp.com.cn)**